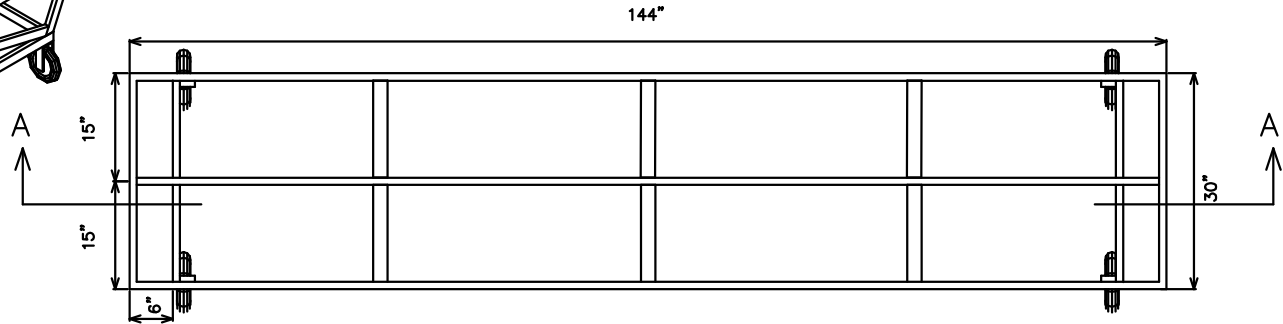
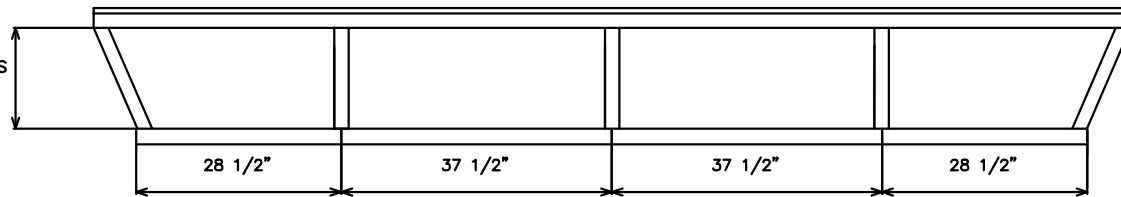


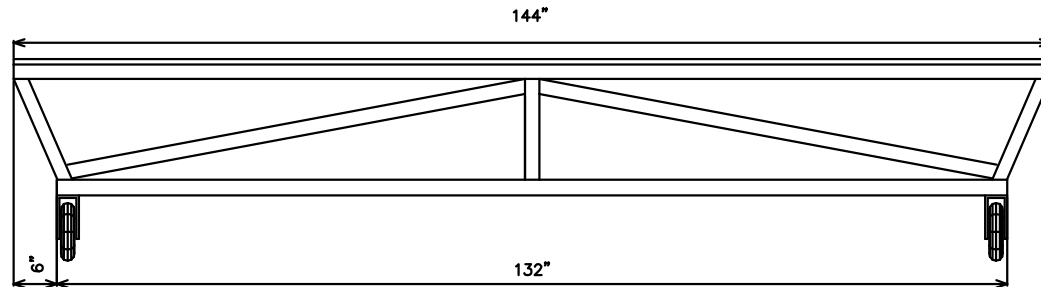
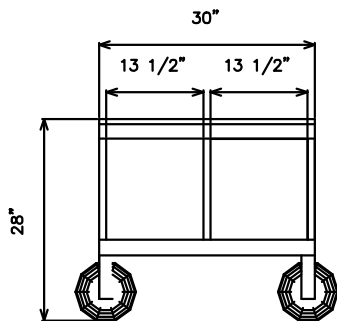
ALL TUBE ON FRAME TO BE 2 X 1"
 PLYWOOD, 144"X30"X3/4"
 WHEELS, 6" SWIVEL CASTERS



TO BE DETERMIND
 AFTER RECEIVING
 PNEUMATIC WHEELS



SECTION VIEW A-A



12/1/2010 1:48 PM

ALL INFORMATION CONTAINED ON THIS DRAWING IS
 PROPERTY TO GRUBER SYSTEMS INC. AND IS
 FURNISHED FOR USE IN OPERATIONAL, REPAIR AND
 MAINTENANCE OF GRUBER PRODUCTS. ITS
 REPRODUCTION FOR USE IN ANY WAY OR FOR
 COMMERCIAL PURPOSES WITHOUT PRIOR WRITTEN
 PERMISSION IS FORBIDDEN. ALL RIGHTS ON THIS
 MATERIAL ARE RESERVED.

UNLESS OTHERWISE SPECIFIED DIMENSIONS ARE
 IN INCHES.
 FRACTIONS ± 1/8" ANGLES ± 1°
 DO NOT SCALE DRAWING
 DRAWN BY: DAVEC LATEST UPDATE: 12/1/2010
 CHECKED BY: DATE:
 APPROVED BY: DATE:



TITLE: 28x30 X 144 Mobile Cart PN-0831162
 DRAWN FOR:
 GRUBER MOBILE CART - 0831163
 SCALE: NONE PAGE 1 OF 1

DATE
 12/01-2010

DRAWING NO: 1E LOGIC CONTROL SYSTEMS \ SYSTEMS EQUIPMENT\CARTS\MOBILE CARTS\DRAWINGS\28X30 X 144 MOBILE CART PN-0831162.AIG

