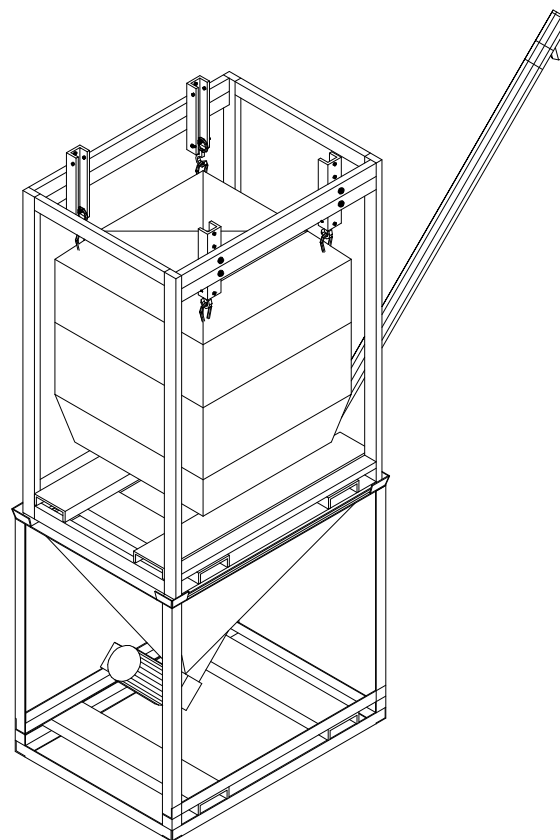
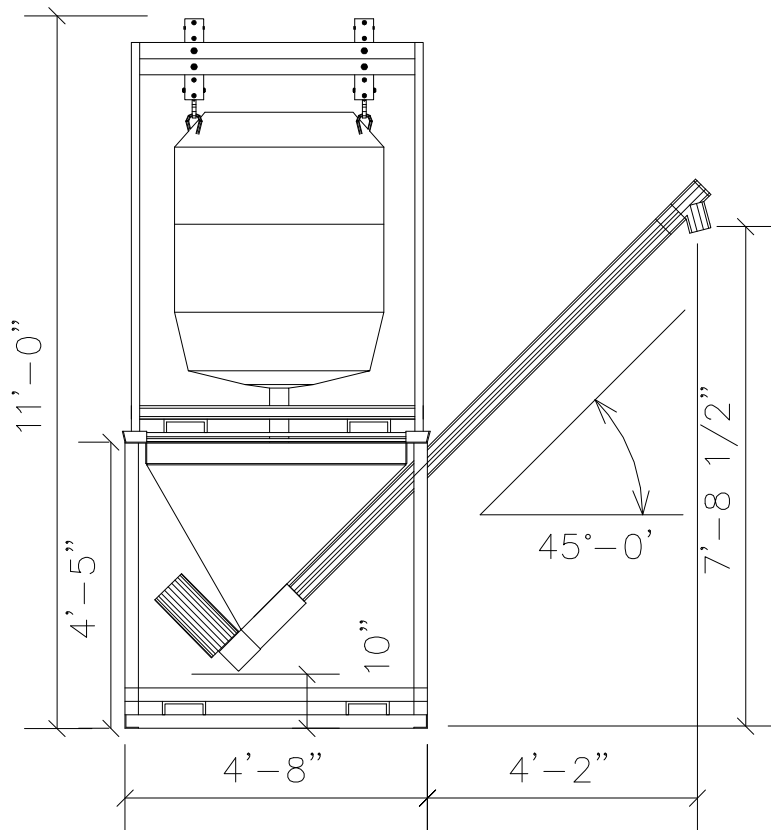
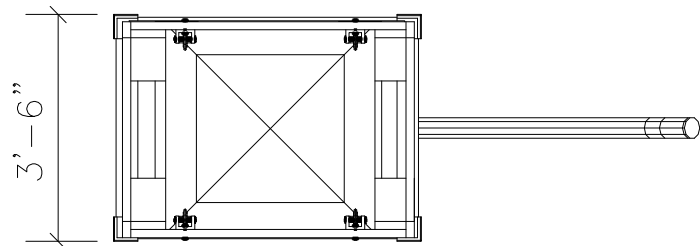


# GRUBER BATCHMASTER BULK BAG SUSPENDER & GROUND HOPPER



3/12/2007 1:29 PM

ALL INFORMATION CONTAINED ON THIS DRAWING IS PROPRIETY TO GRUBER SYSTEMS INC. AND IS FURNISHED FOR USE IN OPERATION, REPAIR AND MAINTENANCE OF GRUBER PRODUCTS. ITS REPRODUCTION FOR USE IN ANY WAY OR FOR COMMERCIAL PURPOSES WITHOUT PRIOR WRITTEN PERMISSION IS FORBIDDEN. ALL RIGHTS ON THIS MATERIAL ARE RESERVED.

UNLESS OTHERWISE SPECIFIED DIMENSIONS ARE IN INCHES.

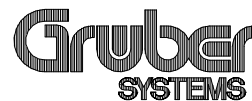
FRACTIONS  $\pm 1/8"$  ANGLES  $\pm 1^\circ$

DO NOT SCALE DRAWING -

DRAWN BY: DAVEC DATE: 3/12/2007

CHECKED BY: DATE:

APPROVED BY: DATE:



25636 Avenue Stanford  
Valencia, CA 91355 U.S.A.  
Telephone: (805) 257-4060

TITLE:  
GRUBER BATCHMASTER BULK BAG SUSPENDER & GROUND HOPPER

DRAWN FOR:  
GRUBER TECH

SCALE: NONE

MASTER

3/12/2007

PAGE 1 OF 1

DRAWING NO: H:\DOC CONTROL SYSTEMS\1 SYSTEMS EQUIPMENT\GROUND HOPPER\DRAWINGS\GRUBER BATCHMASTER BULK BAG SUSPENDER & GROUND HOPPER.DCS