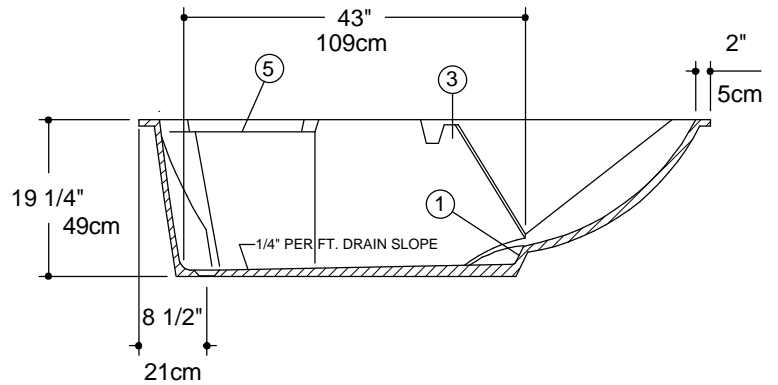
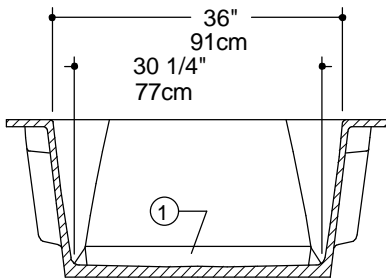
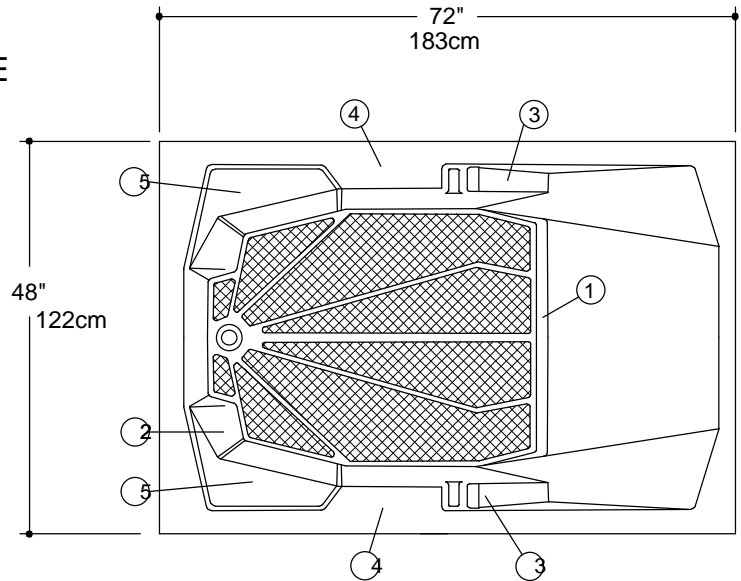


## PRODUCT FEATURES

- 1) LUMBAR JET LOCATIONS
- 2) ALTERNATE FOOTRESTS
- 3) ARMREST AND HAND HOLD
- 4) SEAT FOR ENTRY ASSISTANCE
- 5) RECESSED FAUCET LANDING

## MK36



| MOLD PART    | CATALOG No.                                                     | DESCRIPTION                |
|--------------|-----------------------------------------------------------------|----------------------------|
| MALE         | <b>29036</b>                                                    | <b>MK 36 MALE</b>          |
| FEMALE       | <b>490368</b>                                                   | <b>F- MK 36 ONE PIECE</b>  |
| 2PC FEM DECK | <b>490361</b>                                                   | <b>F - MK 36 DECK</b>      |
| 2PC FEM BOT  | <b>490362</b>                                                   | <b>F - MK 36 BOTTOM</b>    |
| TURTLE       | <b>490363</b>                                                   | <b>F- MK 36 TURTLE</b>     |
| ULFF         |                                                                 |                            |
| ULFF INSERT  |                                                                 |                            |
| SPEEDY PLUG  | <b>290136</b>                                                   | <b>MK 36 SPEEDY PLUG</b>   |
| NAME         | <b>MK 36 BATHTUB 72" X 48" X 19 1/4" (183cm X 122cm X 49cm)</b> |                            |
| CAST WEIGHT  | SCALE 1/2" =1' 0"                                               | DATE 8-30-02 PAGE No. T-27 |