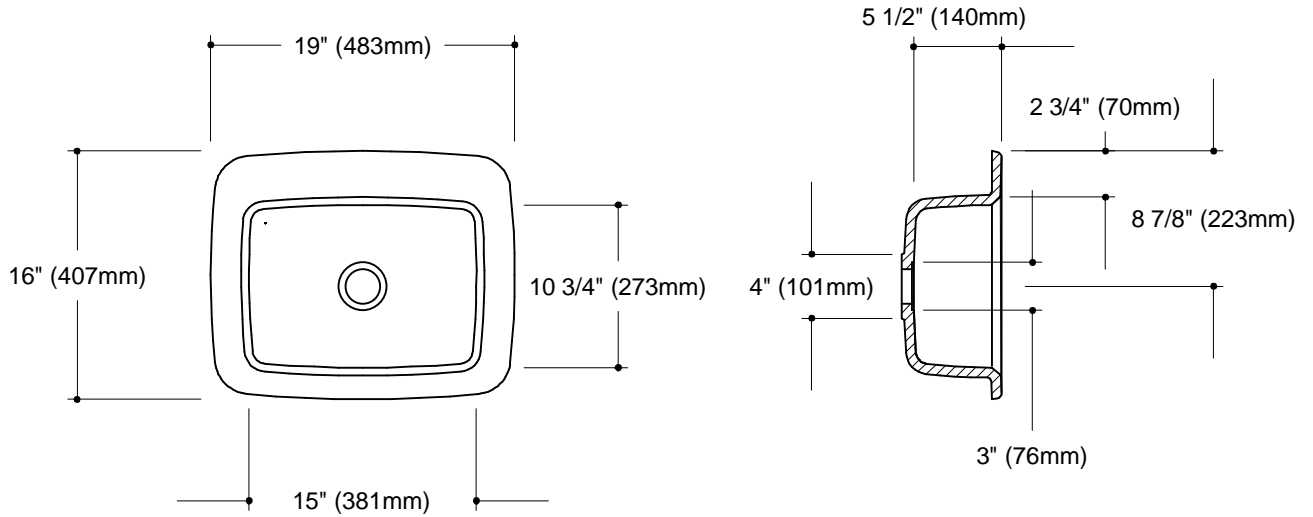


GRUBER SYSTEMS RESERVES THE RIGHT TO CHANGE THIS INFORMATION AT ANY TIME WITHOUT PRIOR NOTICE. ISSUED BY GRUBER SYSTEMS INC., 25636 AVENUE STANFORD, VALENCIA, CA 91355, USA. COPYRIGHT 2000



MOLD PART	CATALOG No.	DESCRIPTION
MALE	<b>20097</b>	<b>102-19 x 16 BAR</b>
FEMALE	<b>400978</b>	<b>FFL-102-19 x16 BAR</b>
NAME		
CAST WEIGHT		SCALE 1' = 1' 0"    DATE <b>8-28-00</b> PAGE No. <b>BD-17</b>