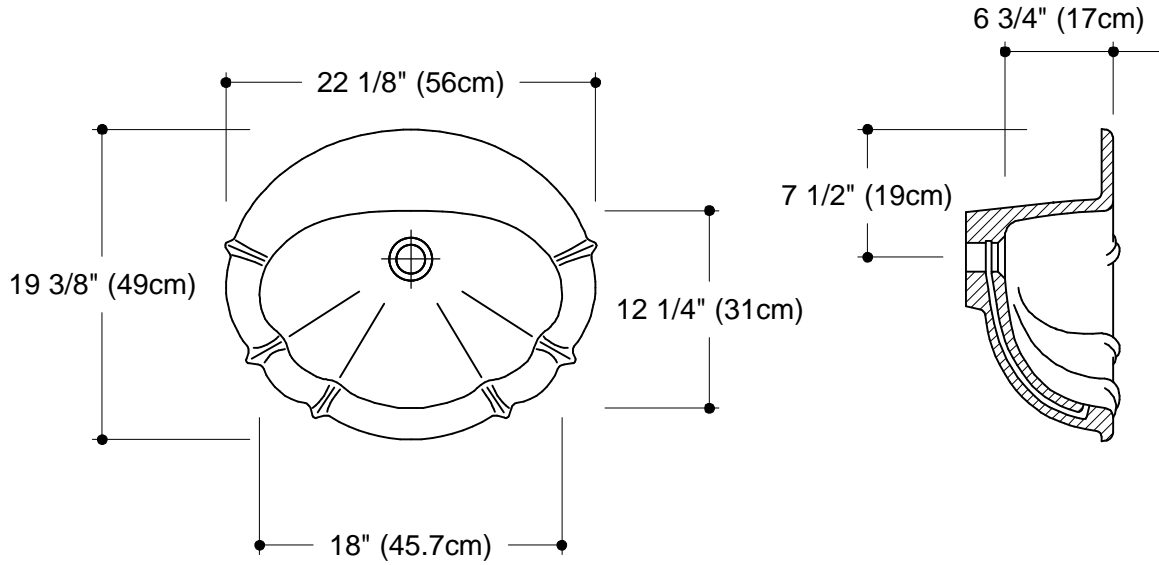


GRUBER SYSTEMS RESERVES THE RIGHT TO CHANGE THIS INFORMATION AT ANY TIME WITHOUT PRIOR NOTICE. ISSUED BY GRUBER SYSTEMS INC., 25636 AVENUE STANFORD, VALENCIA, CA 91355, USA. COPYRIGHT 2002.



MOLD PART	CATALOG No.	DESCRIPTION
MALE	20084	102-FDL-12
FEMALE	400848	F-102-FDL-12
	400848MNO	F-102-FDL NO OVERFLOW
SPEEDY PLUG	01301	102 FDL SPEEDY PLUG-SE
NAME	102 FLEUR DE LIS	
CAST WEIGHT	SCALE 1" = 1' 0"	DATE 8-30-02
		PAGE No. BD-