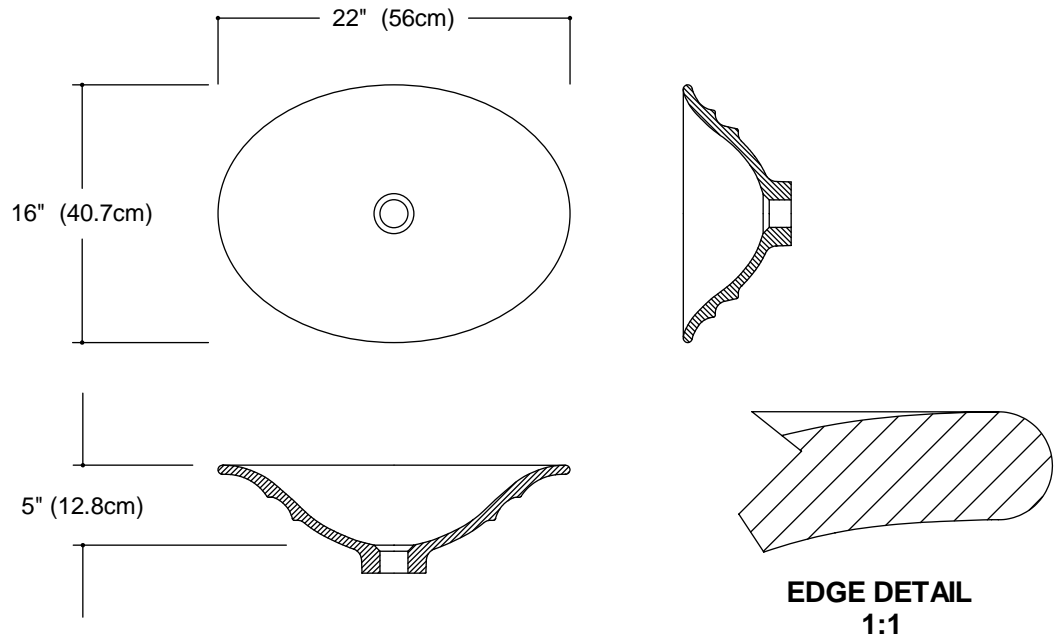
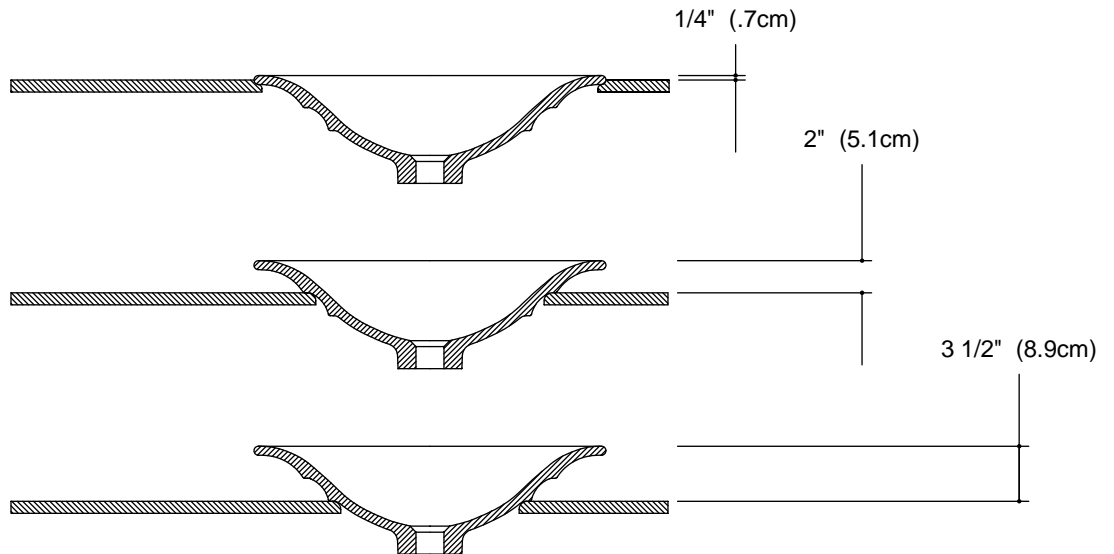


GRUBER SYSTEMS RESERVES THE RIGHT TO CHANGE THIS INFORMATION AT ANY TIME WITHOUT PRIOR NOTICE. ISSUED BY GRUBER SYSTEMS INC., 25636 AVENUE STANFORD, VALENCIA, CA 91355, USA. COPYRIGHT 1999.



The "Lotus" bowl was designed for solid surface casting. The installations shown below illustrate the "rim height above counter" choices which are available when using a standard vanity cabinet. Further choices result when using custom height cabinets.



Patents pending

MOLD PART	CATALOG No.	DESCRIPTION
MALE	<b>20150M</b>	<b>M-LOTUS SS BOWL</b>
FEMALE	<b>4015091M</b>	<b>M-ULFF-LOTUS SS FEM</b>
TEMPLATE	<b>20150-T</b>	<b>DECK OPENING TEMPLATE SS (SET OF 3)</b>
NAME	<b>THE TRI-LEVEL LOTUS SOLID SURFACE BOWL</b>	
CAST WEIGHT	<b>10 - 11 LBS</b>	SCALE <b>1" = 1' 0"</b> DATE <b>5-1-99</b> PAGE No. <b>SS-7</b>