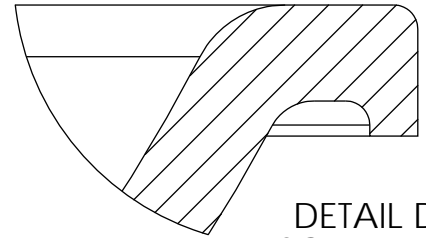
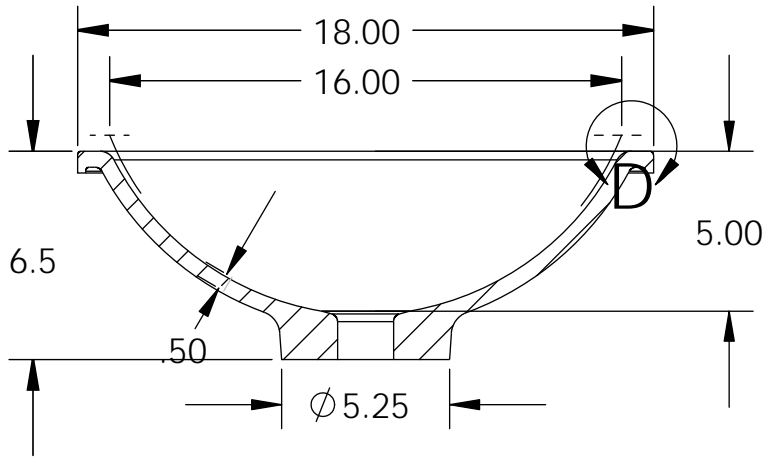
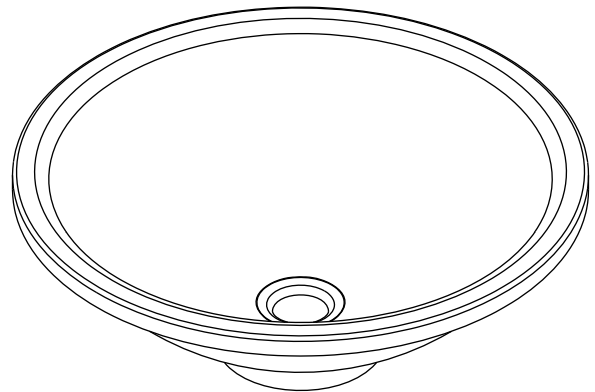
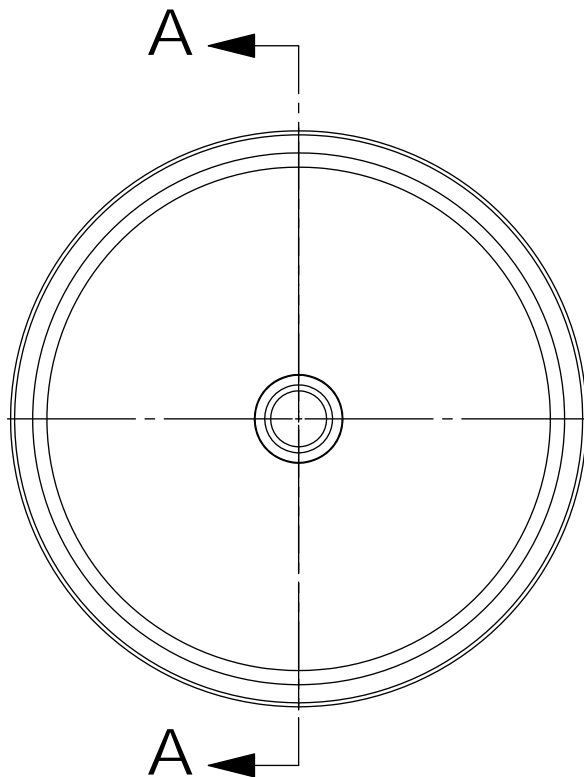


GRUBER SYSTEMS RESERVES THE RIGHT TO CHANGE THIS INFORMATION AT ANY TIME WITH OR WITHOUT PRIOR NOTICE. ISSUED BY GRUBER SYSTEMS INC., 25636 AVENUE STANFORD, VALENCIA, CA 91355, USA. COPYRIGHT 2002



DETAIL D  
SCALE 1 : 1

SECTION A-A



MOLD PART	CATALOG No.	DESCRIPTION
MALE	20149	HEMISPHERE 16/18 VESSEL
FEMALE	401498	FEM HEMISPHERE 16/18 VESSEL
SPEEDY PLUG	N/A	
TEMPLATE	N/A	
NAME	HEMISPHERE 16/18 VESSEL BOWL	
CAST WEIGHT	16 POUNDS	SCALE 1" = 1'0"
	DATE	11.06.07
	PAGE No.	